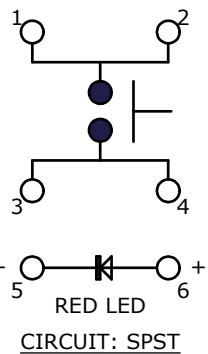
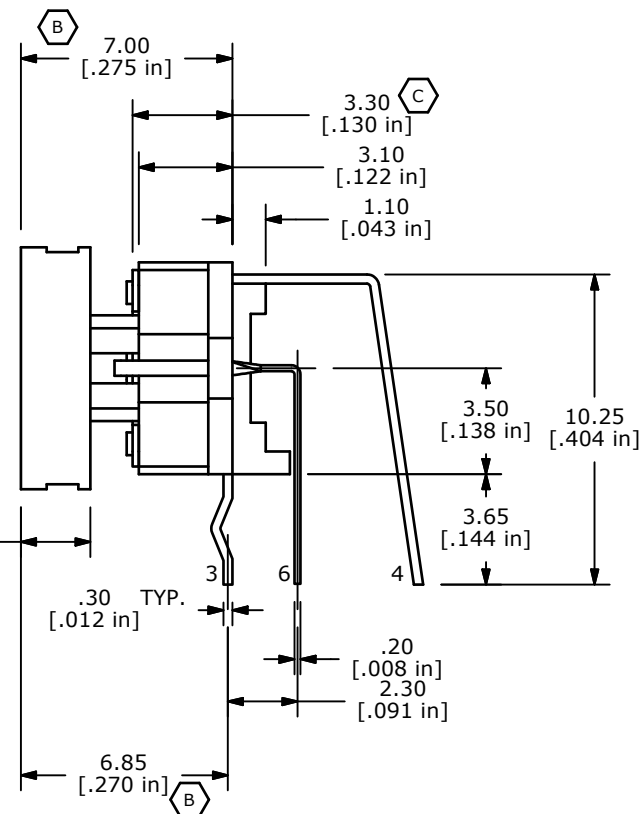
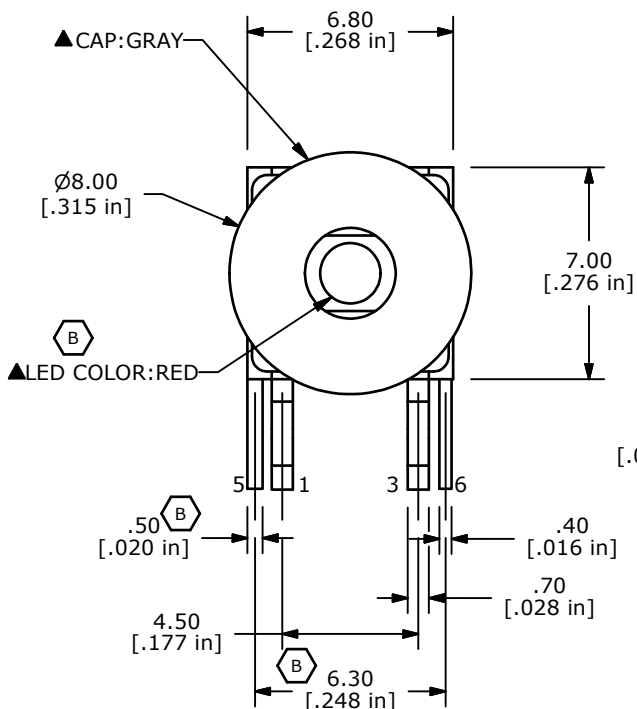
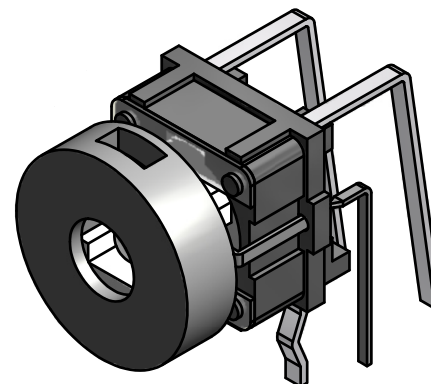


P.C.B. LAYOUT



LED SPECS	UNITS	RED
FORWARD CURRENT	mA	20 TYP.
FORWARD VOLTAGE	V	2.0 TYP. - 2.5 MAX.
LUMINOUS INTENSITY	MCD	1800 TYP.



NOTES:

1. ALL DIMENSIONS IN MM [INCH]
2. GENERAL TOLERANCE: X.X=±0.4  
X.XX=±0.25
- ▲3. RATING: 12VDC @ 50mA
4. CONTACT RESISTANCE: 100mΩ MAX.
5. INSULATION RESISTANCE: 100MΩ MIN.
6. OPERATING FORCE: 160±50gf
7. TRAVEL: 0.2±0.1mm
8. OPERATING TEMPERATURE: -20°C TO 70°C
9. OPERATING LIFE 500,000 CYCLES
- ▲10. LED COLOR: RED
11. ▲DENOTED CRITICAL PARAMETER
12. 2002/95/EC (ROHS) COMPLIANT
13. PACKAGING: 100 PIECES PER TRAY

D	21665	ADDED NOTE 13	10/23/14	AS
C	19956	CORRECT NOTES / LED CHART / DIM	05/20/11	BMA
B	19542	UPDATE DRAWING	12/21/10	BGL
REV	PCR NO	DESCRIPTION	DATE	BY



TITLE TL1260RQRGRY

SCALE	DATE	DR	DWG	REV
4:1	9/10/2010	BLR	B200015	D

THE INFORMATION CONTAINED IN THIS DOCUMENT IS PROPRIETARY TO E-SWITCH AND IS NOT TO BE COPIED OR TRANSFERRED